



# SQUARE

## FLOOR MOUNT TUB FILLER



- For use with free standing tubs
- 6" center-to-center floor spread installation
- 26-15/16" (685 mm) floor to center of handle
- Drain not included
- Rough valve included
- Maximum hand shower flow rate: 2.0 gpm (7.6 L/min)

### CODES AND STANDARDS

Meets or Exceeds ASME A112.18.1/CSA B125.1

### DESCRIPTION

Floor Mount Tub Filler

### PRODUCT NUMBER

D35900900.XXX

### AVAILABLE FINISHES

Polished Chrome  
Brushed Nickel  
Matte Black

### FINISH CODE

100  
144  
243

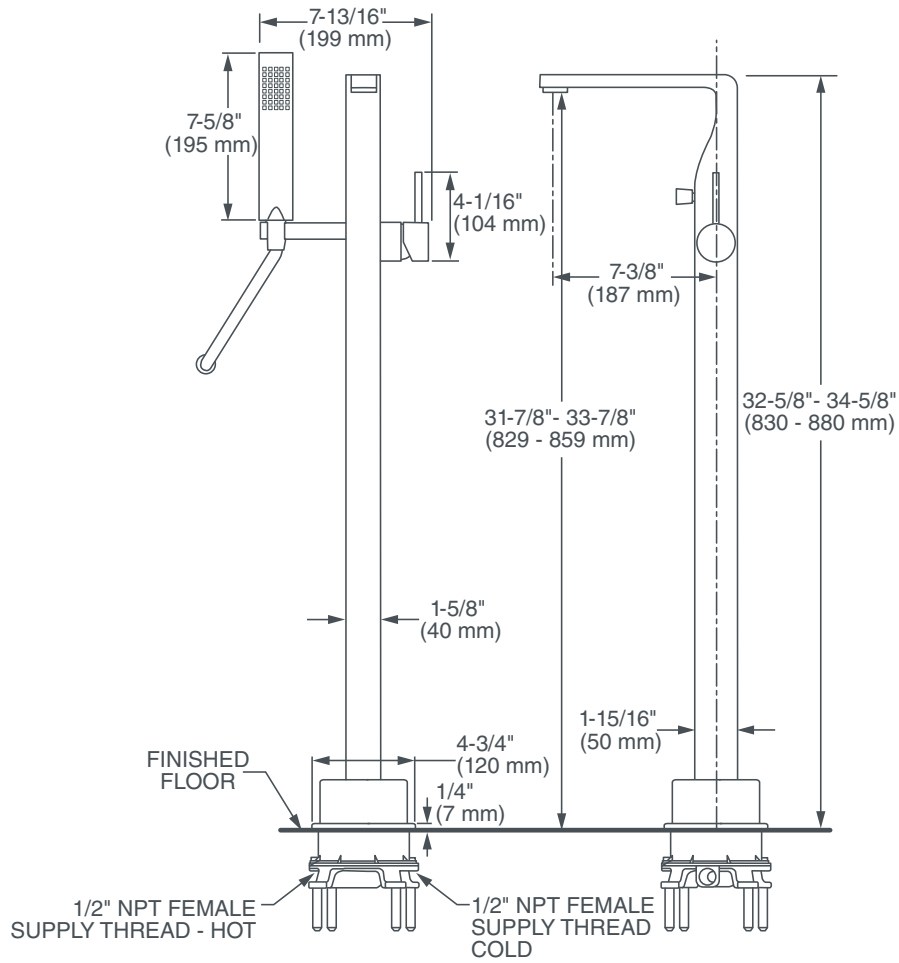
ROUGH-IN DIAGRAM  
SHOWN ON NEXT PAGE





# SQUARE

## FLOOR MOUNT TUB FILLER



**IMPORTANT:** These measurements are subject to change or cancellation. No responsibility is assumed for use of superseded or voided pages.

PART OF **LIXIL**